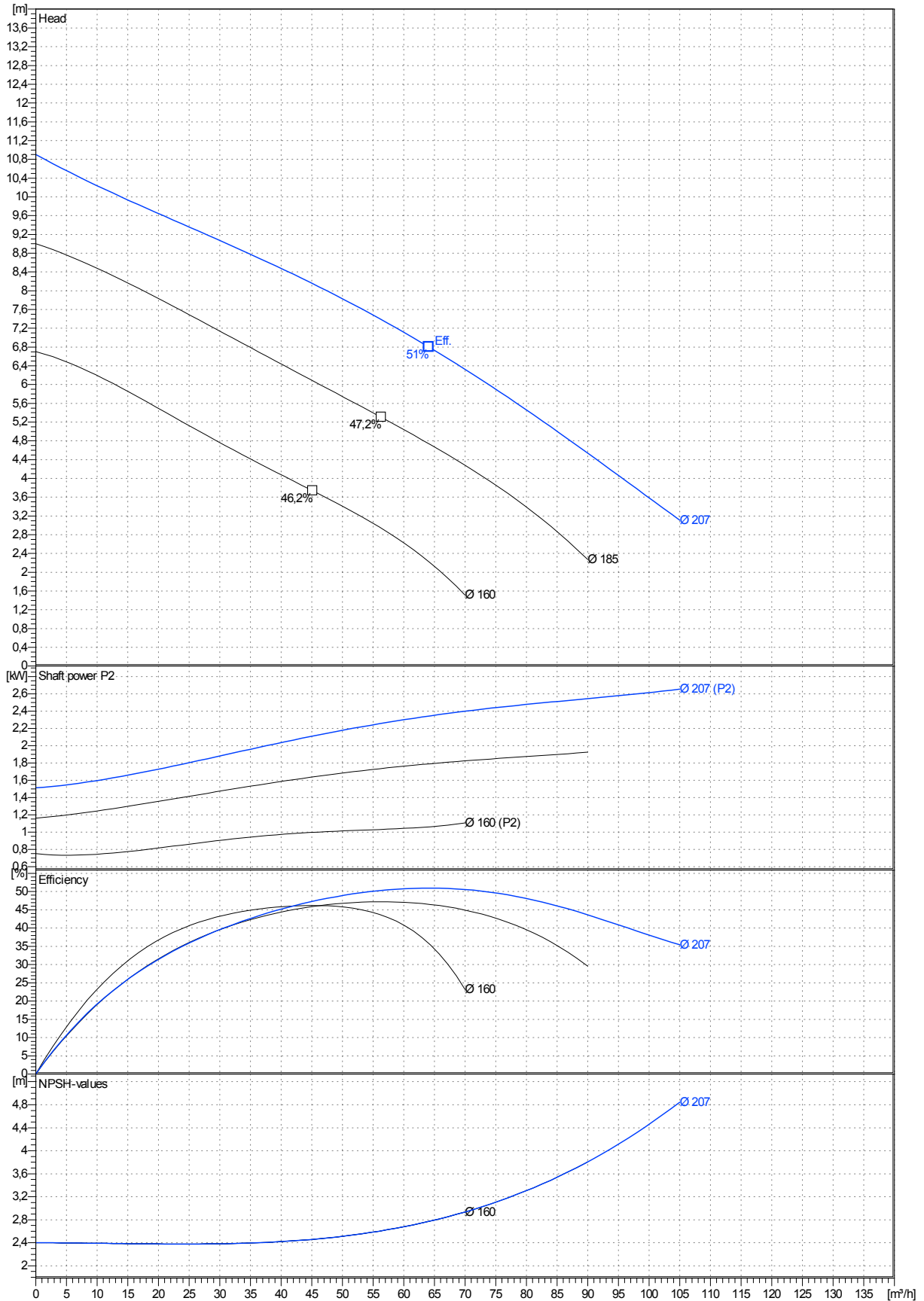


data referred to : Water, pure [100%] ; 20°C; 0,9983kg/dm³; 1,005mm²/s Tolerances acc. ISO 9906 Annex A



Curves are approximate, pump is guaranteed for one set of conditions (capacity, head, efficiency).

Submersible, centrifugal, non-clogging sewage pump PX1-80.0-4 VORTEX 1 capable of handling raw,unscreened sewage.

The pump can be capable of operating continuously in submersed or dry installed condition due the internal cooling system (standard version).

An internal impeller, fitted between the mechanical shaft seal, circulate a cooling liquid (Ecoflu) in a closed loop through a cooling jacket, and transfer the heat to the pumped liquid by a cooling flange (heat exchange).

The pumps manufactured within European Union with the latest manufacturing and environmental standards and practical standard features as :

-Electrical motor PXFLOW -SIEMENS with highest energy saving norm EFF1 have Class F insulation (rated for 155 degrees Celsius) as standard (Class H as option),three thermal overload switches, one per phase, internally wound to combat high temperature loads.

-Built-in moisture sensors

-Channel and vortex impellers made in ductile iron GGG40 are of non clogging design can be accommodated in the same volute. This advance together with possibility to be trimmed allow to meet changing duties

-Rotor shaft oversized made in stainless steel and oversized ball bearings ensuring smooth and vibration free running with extended life time as result.

-Shaft sealing system consist of double mechanical seals built into a replaceable cartridge facilitate quick changes even on-site without special tools

-Wear rings with 'reducer' clearances system allow to be re-positioned axially in order to reduce the clearances between the channel impeller and volute

-Fast lock connection system latch bolts made in stainless steel for easy removal of the motor together with impeller from the volute.

Materials

Motor housing, volute :cast iron GG -25

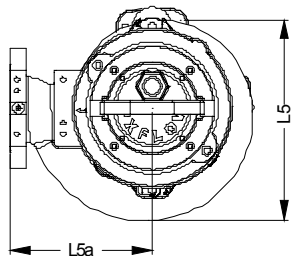
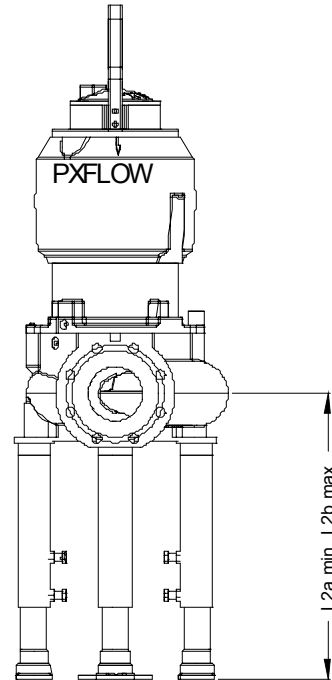
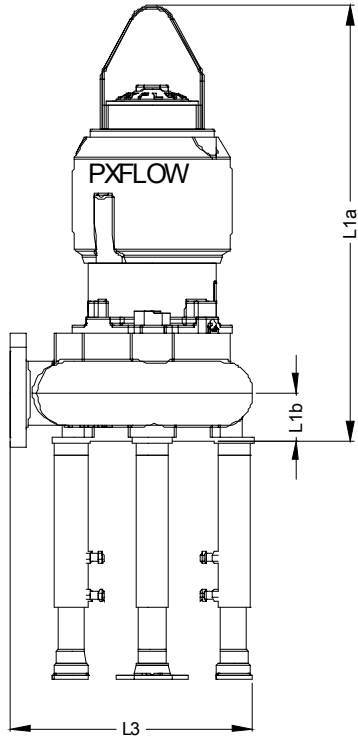
Impeller, adapter: ductile iron GGG40

Shaft, cartridge sleeve :stainless steel 431

Shaft seal:Media side sic/sic
Cooling-motor side sic/carbon

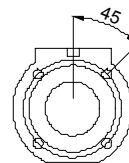
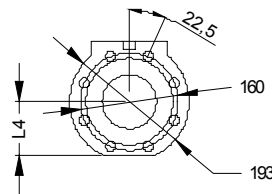
Bearings:upper:single row deep groove ball bearing
lower: double angular contact ball bearing

PX1-80.0-4 VORTEX 1 with motor M1.1- 2,7 / 4



Standard
DN80 PN10
8xM16

Option
3" class 125
4xM16



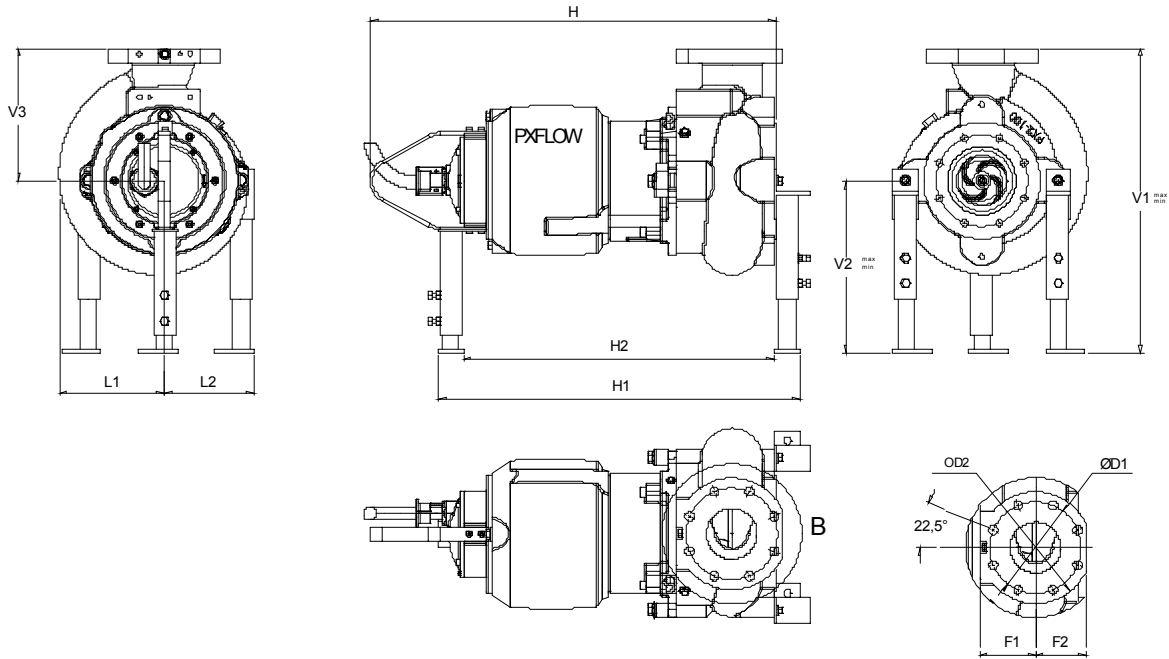
Dimensions	mm	Dimensions	mm
L1a	740		
L1b	110		
L2max	415		
L2min	295		
L3a	430		
L3b	485		
L5	430		
L5a	307		
L5b	265		

Outlet flange - Standard : DN80 / PN10
 - Option : 3" ANSI class 125
 - Option : DN100 / PN10
 - Option : 4" ANSI class 125

Suction flange - Standard : DN80 / PN10
 - Option : 3" ANSI class 125
 - Option : DN100 / PN10
 - Option : 4" ANSI class 125

Total Weight of Pump =97 kg
 Weight of Adjustable Legs =0 kg

PX1-80.0-4 VORTEX 1 with motor M1.1-2,7 / 4



Dimensions	mm	Dimensions	mm
D1	0		
D2	0		
F1	0		
F2	0		
H	690		
H1	670		
H2	590		
L1	0		
L2	0		
V1max	0		
V1min	0		
V2max	0		
V2min	0		
V3	0		

For Discharge connection bracket :

- Outlet flange
- Standard : DN80 / PN10 Flange
 - Option : 3" ANSI class 125
 - Option : DN100 / PN10 Flange
 - Option : 4" ANSI class 125

For pump :

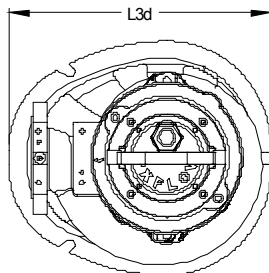
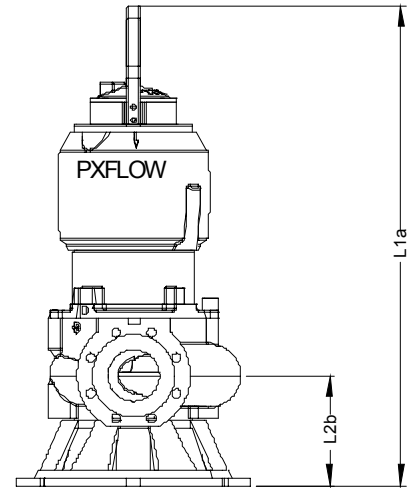
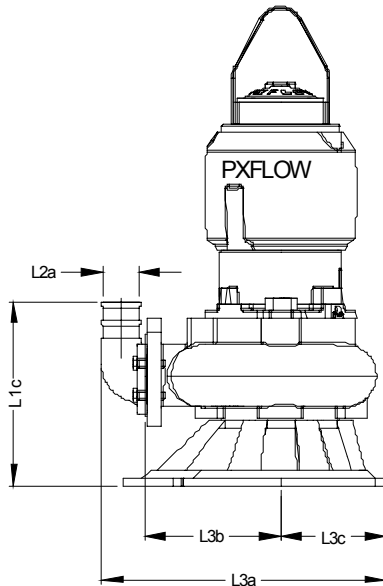
- Outlet flange
- Standard : DN80 / PN10
 - Option : 3" ANSI class 125
 - Option : DN100 / PN10
 - Option : 4" ANSI class 125

Suction flange

- Standard : DN80 / PN10
- Option : 3" ANSI class 125
- Option : DN100 / PN10
- Option : 4" ANSI class 125

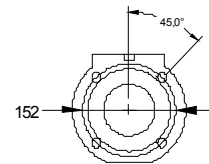
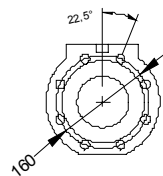
Weight of Pump with cooling jacket = 97 kg

PX1-80.0-4 VORTEX 1 with motor M1.1-2,7 / 4



Standard
DN80 PN10
8xM16

Option without discharge bend
3" class 125
4xM16



Dimensions	mm	Dimensions	mm
L1a	827		
L1c	312		
L2 a	100		
L2b	197		
L3a	530		
L3b	263		
L3c	155		
L3d	310		

Outlet for hose - Option : Ø 80mm (3")
Option : Ø 100mm (4")

For pump :
Outlet flange - Standard : DN80 / PN10
- Option : 3" ANSI class 125
- Option : DN65 / PN10
- Option : 2,5" ANSI class 125

Suction flange - Standard : DN80 / PN10
- Option : 4" ANSI class 125
- Option : DN100 / PN10
- Option : 4" ANSI class 125

Weight of Pump with cooling jacket = 97 kg
(without cooling jacket : - 13 kg)
Weight of Base for Transportable = 0 kg