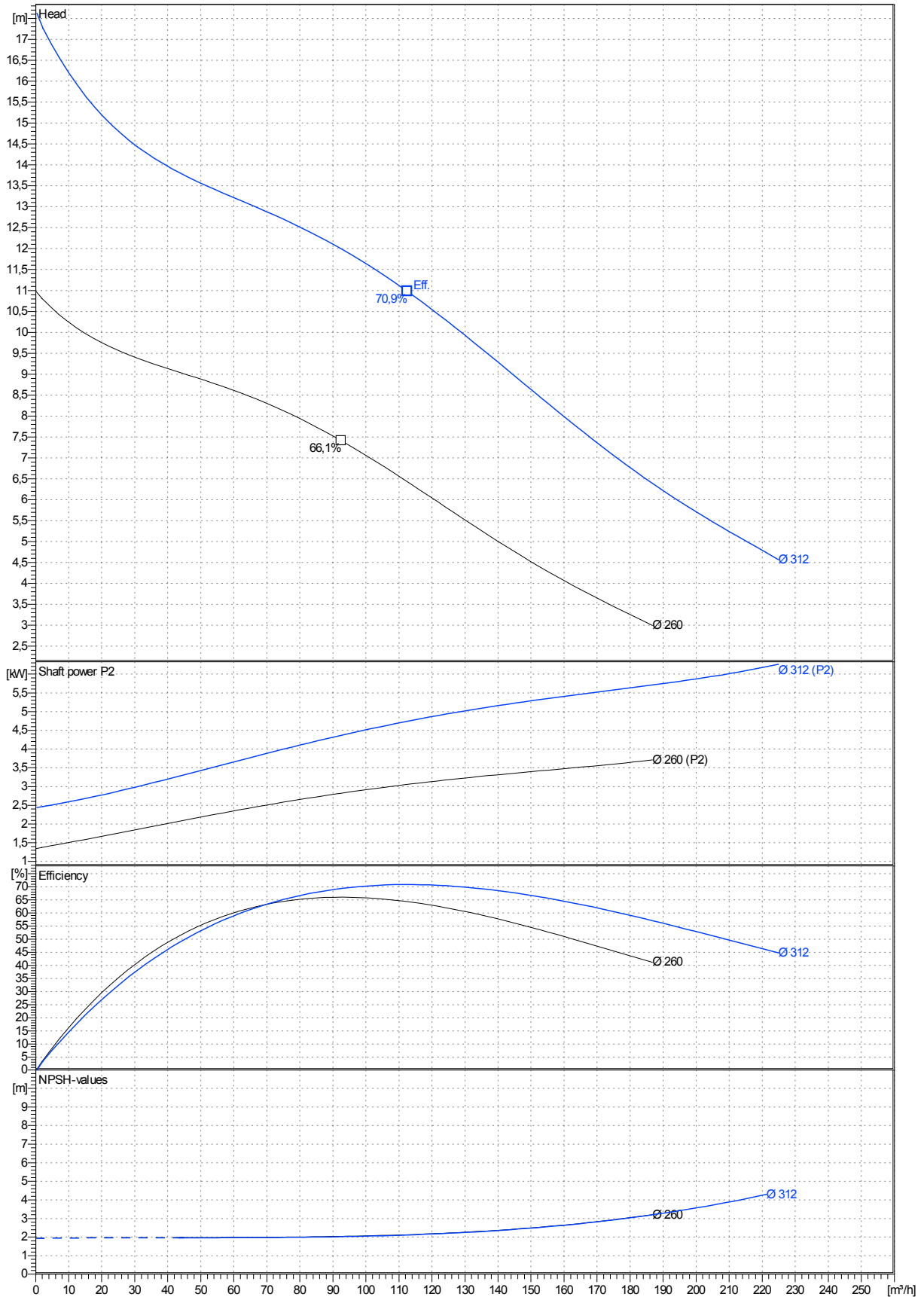


data referred to : Water, pure [100%] ; 20°C; 0,9983kg/dm³; 1,001mm²/s Tolerances acc. ISO 9906 Annex A



Curves are approximate, pump is guaranteed for one set of conditions (capacity, head, efficiency).
PAPANTONATOS reserves the right to modify any data without prior notice.

Submersible, centrifugal, non-clogging sewage pump PX3-100.0-6 CHANNEL 1 capable of handling raw,unscreened sewage.

The pump can be capable of operating continuously in submersed or dry installed condition due the internal cooling system (standard version).

An internal impeller, fitted between the mechanical shaft seal, circulate a cooling liquid (Ecoflu) in a closed loop through a cooling jacket, and transfer the heat to the pumped liquid by a cooling flange (heat exchange).

The pumps manufactured within European Union with the latest manufacturing and environmental standards and practical standard features as :

-Electrical motor PXFLOW -SIEMENS with highest energy saving norm EFF1 have Class F insulation (rated for 155 degrees Celsius)as standard (Class H as option),three thermal overload switches, one per phase, internally wound to combat high temperature loads.

-Built-in moisture sensors

-Single channel impeller made in ductile iron GGG40 are of non clogging design

-Channel and vortex impellers can be accommodated in the same volute. This advance together with possibility to be trimmed allow to meet changing duties.

-Rotor shaft oversized made in stainless steel and oversized ball bearings ensuring smooth and vibration free running with extended life time as result.

-Shaft sealing system consist of double mechanical seals built into a replaceable cartridge facilitate quick changes even on-site without special tools.

-Wear rings with 'reducer' clearances system allow to be re-positioned axially in order to reduce the clearances between the channel impeller and volute.

-Fast lock connection system latch bolts made in stainless steel for easy removal of the motor together with impeller from the volute.

Materials

Motor housing, volute :cast iron GG -25

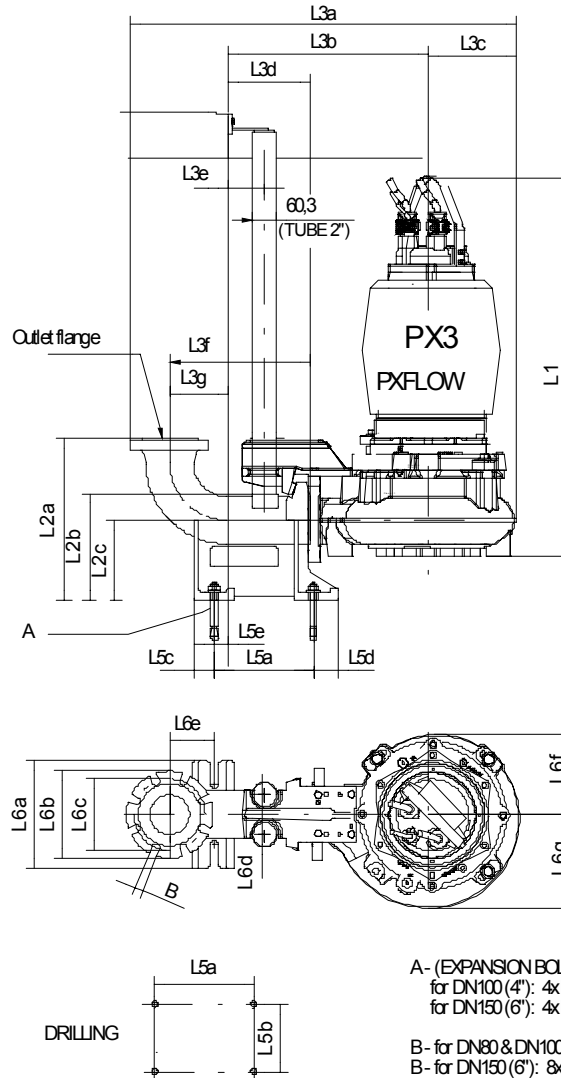
Impeller, adapter: ductile iron GGG40

Shaft, cartridge sleeve :stainless steel 431

Shaft seal:Media side sic/sic
Cooling side sic/carbon

Bearings:upper:single row deep groove ball bearing
lower: double row angular contact ball bearing

PX3-100.0-6 CHANNEL 1 with motor M3.2-13,5 / 6



A- (EXPANSION BOLT)
for DN100 (4"): 4xM16x140 (5'8"x5.5")
for DN150 (6"): 4xM20x200

B- for DN80 & DN100 (3' & 4"): 8xM16 (5/8")
B- for DN150 (6"): 8xM20

Dimensions	mm	Dimensions	mm
L1	965	L5d	60
L2a	405	L5e	38
L2b	265	L6a	270
L2c	200	L6b	220
L3a	983	L6c	180
L3b	505	L6d	100
L3c	222	L6e	112
L3d	205	L6f	203
L3e	90	L6g	236
L3f	355		
L3g	150		
L5a	250		
L5b	170		
L5c	50		

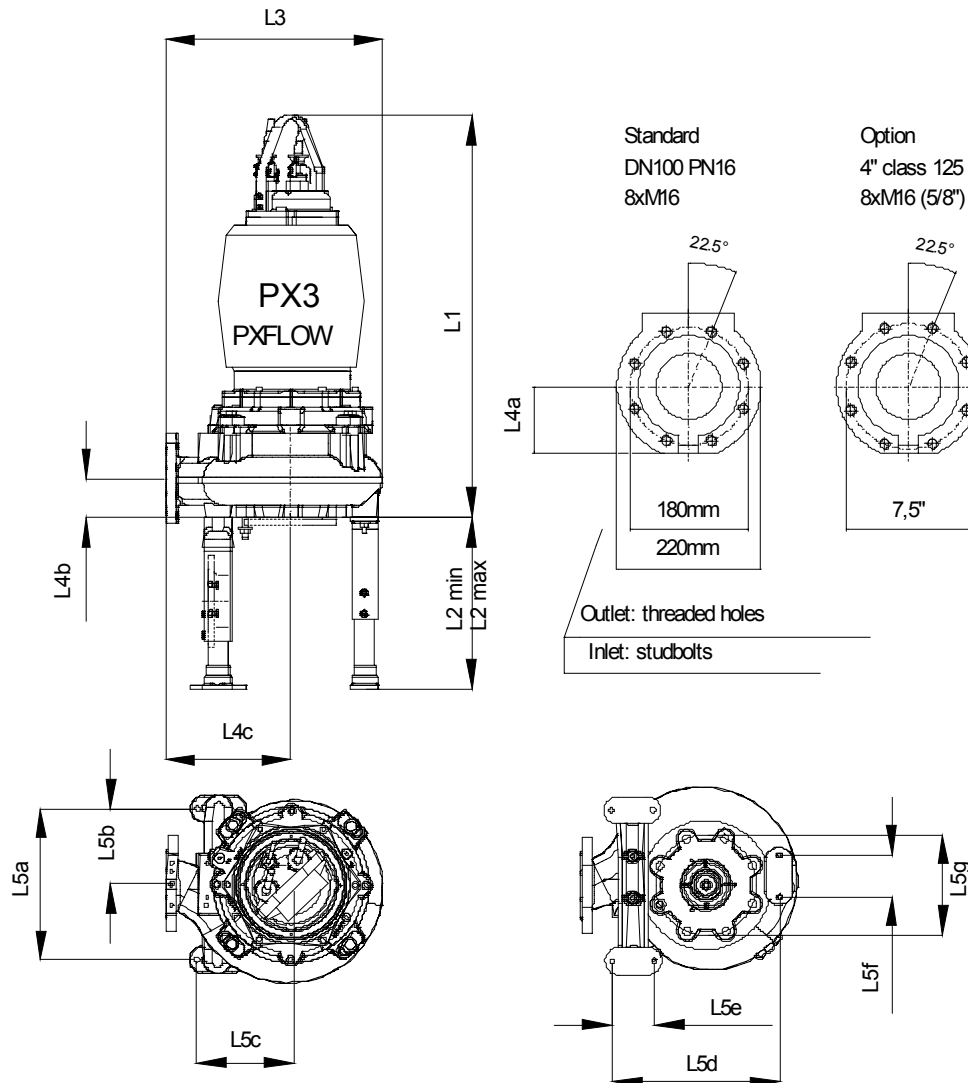
For Discharge connection bracket :
Outlet flange - Standard : DN100 / PN10
- Option : 4" ANSI class 125

For pump :
Outlet flange - Standard : DN100 / PN16
- Option : 4" ANSI class 125

Suction flange - Standard : DN150 / PN16
- Option : 6" ANSI class 125
- Option : DN100 / PN16
- Option : 4" ANSI class 125

Weight of Pump with cooling jacket = 267 kg
(without cooling jacket : - 30 kg)
Weight of Adapter = 10 kg

PX3-100.0-6 CHANNEL 1 with motor M3.2-13,5 / 6



Dimensions	mm	Dimensions	mm
L1	965		
L2max	450		
L2min	350		
L3	519		
L4a	103		
L4b	91		
L4c	300		
L5a	360		
L5b	180		
L5c	234		
L5d	399		
L5e	100		
L5f	100		

Outlet flange - Standard : DN100 / PN16
- Option : 4" ANSI class 125

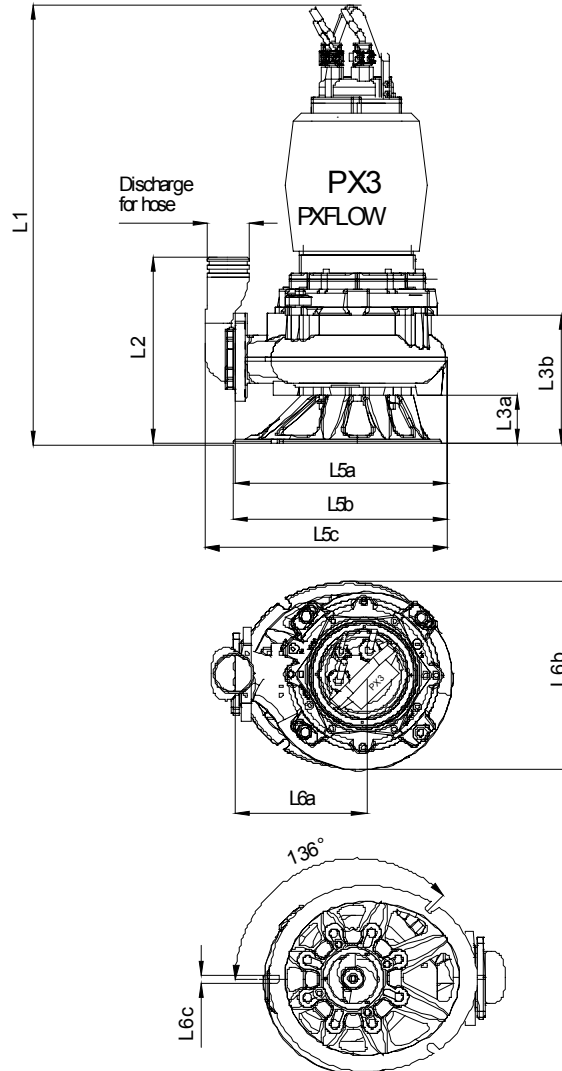
Suction flange - Standard : DN150 / PN16
- Option : 6" ANSI class 125
- Option : DN100 / PN16
- Option : 4" ANSI class 125

Weight of Pump with cooling jacket = 267 kg
Weight of Adjustable Legs = 15,2 kg

PX3-100.0-6 CHANNEL 1 with motor M3.2-13,5 / 6

Dimensions	mm	Dimensions	mm	
L1a	967	L5d	60	Outlet flange - Standard : DN100 / PN16 - Option : 4" ANSI class 125 Suction flange - Standard : DN150 / PN16 - Option : 6" ANSI class 125 - Option : DN100 / PN16 - Option : 4" ANSI class 125 Weight of Pump with cooling jacket = 267 kg Weight of Adjustable Legs = 0 kg
L1b	151	L6a	320	
L2a	455	L6b	285	
L2b	354	L6c	240	
L2c	250	L6d	100	
L3a	1062	L6e	100	
L3b	505	L6f	190	
L3c	224	L6g	252	
L3d	205			
L3e	90			
L3f	395			
L5a	280			
L5b	220			
L5c	40			

PX3-100.0-6 CHANNEL 1 with motor M3.2-13,5 / 6



Dimensions	mm	Dimensions	mm
L1	1085		
L2	455		
L3a	120		
L3b	316		
L5a	519		
L5b	523		
L5c	590		
L6a	323		
L6b	460		
L6c	21		
			Outlet for hose - Option : Ø 100mm (4") For pump : Outlet flange - Standard : DN100 / PN16 - Option : 4" ANSI class 125 Suction flange - Standard : DN150 / PN16 - Option : 6" ANSI class 125 - Option : DN100 / PN16 - Option : 4" ANSI class 125 Weight of Pump with cooling jacket = 267 kg (without cooling jacket : - 30 kg) Weight of Base for Transportable = 13,3 kg