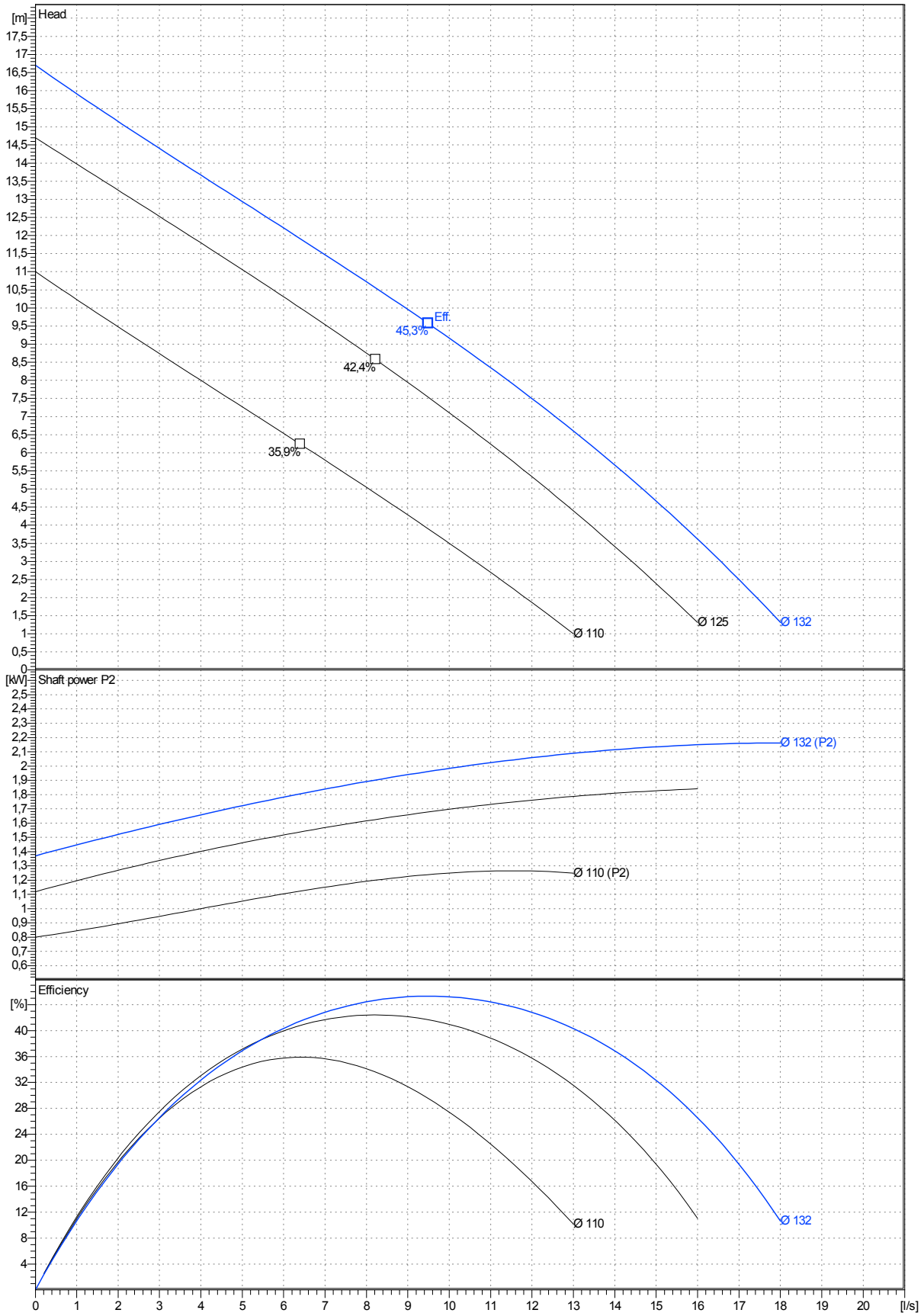


data referred to : Water, pure [100%] ; 20°C; 0,9983kg/dm³; 1,001mm²/s

Tolerances acc. ISO 9906 Annex A



Curves are approximate, pump is guaranteed for one set of conditions (capacity, head, efficiency).

Submersible, centrifugal, non-clogging sewage pump PX1-65.0-2 VORTEX 1 capable of handling raw,unscreened sewage.

The pump can be capable be supplied in portable and wet pit design versions and are all supplied high performance vortex impellers. This standard feature ensures none clogging capability in a wide range of operating conditions.

The pumps manufactured within European Union with the latest manufacturing and environmental standards .

-Electrical motor with Class F insulation (rated for 155 degrees Celsius)as standard ,three thermal overload switches, one per phase, internally wound to combat high temperature loads.

-Built-in moisture sensor

Materials

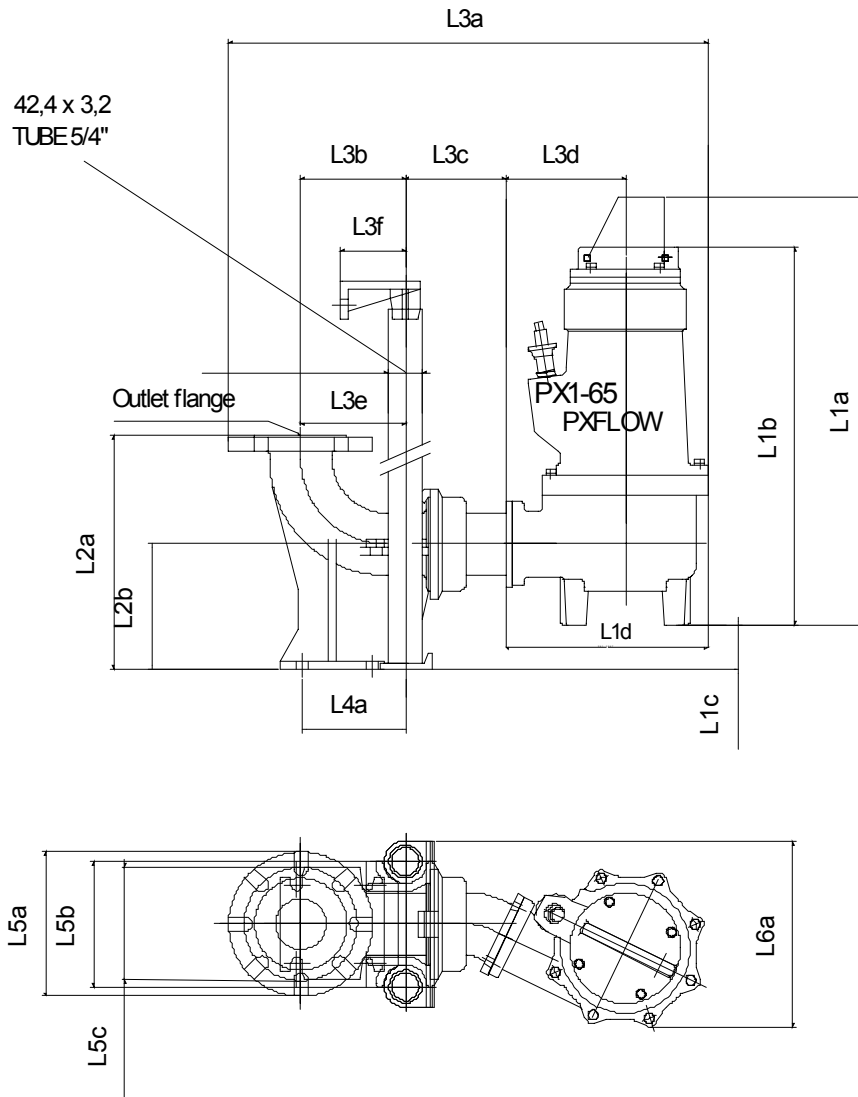
Casting parts :cast iron GG -25

Shaft :stainless steel 431

Shaft seal:Media side sic/sic
Motor side sic/ceramic

Bearings:upper:single row deep groove ball bearing
lower: double angular contact ball bearing

PX1-65.0-2 VORTEX 1 with motor



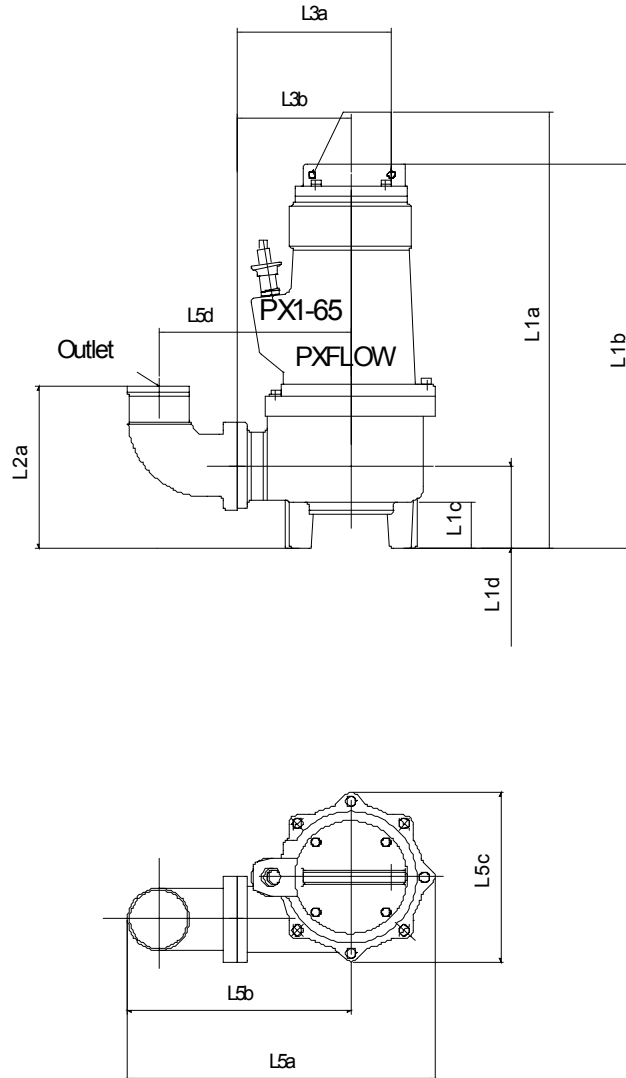
Dimensions	mm	Dimensions	mm
L1a	549	L5c	145
L1b	485	L6a	239
L1c	57		
L1d	260		
L2a	300		
L2b	160		
L3a	616		
L3b	134		
L3c	130		
L3d	154		
L3e	134		
L3f	84		
L5a	185		
L5b	160		

Outlet - Standard : DN65 / PN10 flange

Suction - Standard : Ø 65mm (2½")

Total Weight of Pump =40 kg
Weight of Adapter =0 kg

PX1-65.0-2 VORTEX 1 with motor



Dimensions	mm	Dimensions	mm
L1a	549		
L1b	485		
L1c	58		
L1d	104		
L2a	204		
L3a	195		
L3b	144		
L5a	387		
L5b	281		
L5c	213		
L5d	242		

Outlet - Standard : Ø 65mm Threaded (G2½")
- Option : Outlet Ø 65mm (2½") for hose

Suction - Standard : Ø 65mm (2½")

Total Weight of Pump =40 kg
Weight of Base for Transportable=0 kg